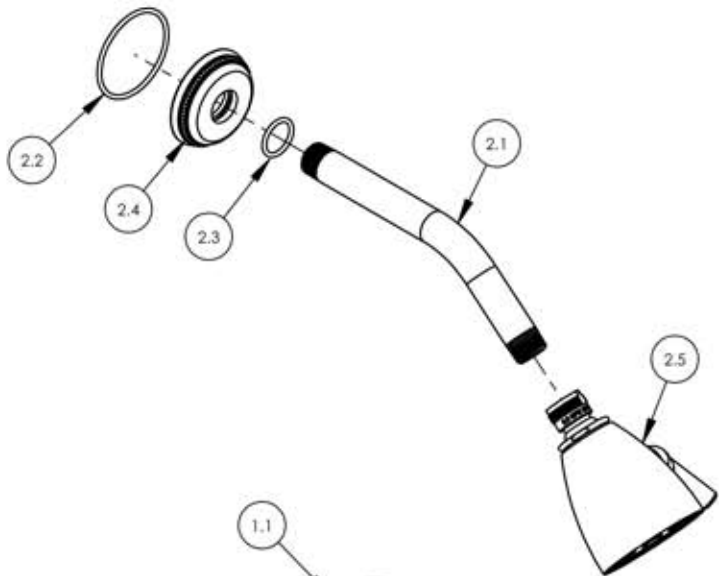
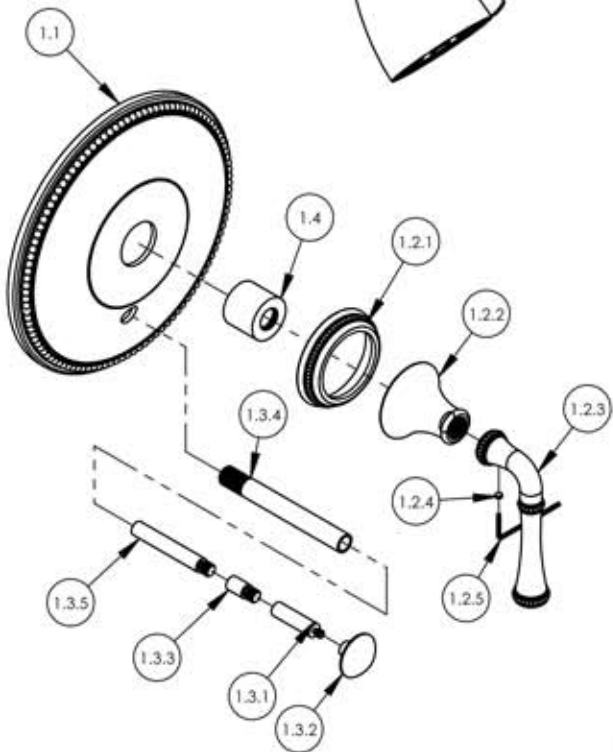


A



B



C

D

ITEM NO.	PART NUMBER	DESCRIPTION	QTY.
1	4-129/00	PRESSURE BALANCE SHOWER PLATE W/ DIVERTER & HANDLE TRIM SET	1
1.1	P17018/00	PLATE, BEADED FOR PRESSURE BALANCE	1
1.2	3-311/00	LEVER HANDLE, BEADED SERIES	1
1.2.1	10973/00	ESCUTCHEON, BEADED HANDLE	1
1.2.2	10972/00	HUB, TRANSITIONAL 3RING	1
1.2.3	10971/00	HANDLE, BEADED LEVER 3RING	1
1.2.4	92163	SET SCREW, CONE PT 8-32 X 1/8" L	1
1.2.5	P39001	HEX KEY 5/64, FOR 8-32 SET SCREW	1
1.3	3-125/00	EXTENSION ASSY FOR PB TUB & SHOWER SET	1
1.3.1	11008/00	DIVERTED STEM FOR PB PLATE	1
1.3.2	11006/00	PULL KNOB, DIVERTER, 10-24	1
1.3.3	11085/00	EXTENSION PIN FOR PB TUB & SHOWER SET	1
1.3.4	11009/00	EXTENSION SLEEVE FOR STEM, PB TUB & SHOWER SET	1
1.3.5	11007/00	EXTENSION PIN FOR PB TUB & SHOWER SET 1.2SLONGER	1
1.4	10986	CENTERING PLATE SLEEVE	1
2	4-132/00	SMOOTH SHOWER HEAD W/8" ARM, BEADED FLANGE, BEADED SERIES	1
2.1	P16008/00	SHOWER ARM (8 INCH)	1
2.2	90138	O-RING, 2 1/8" ID X 3/32" THK., AS-568-138	1
2.3	90117	O-RING, 7/8" ID X 33/32" THK., AS-568-117	1
2.4	11114/00	SHOWER FLANGE, BEADED SERIES	1
2.5	P16014/00	SHOWERHEAD SIX JET	1

E

ZONE	REV.	DESCRIPTION	DATE	APPROVED
------	------	-------------	------	----------

REVISIONS

1261 LOGAN AVENUE
COSTA MESA, CALIFORNIA 92626
PHONE: 714.361.4800
FAX: 714.617.3120

PHYLIRICH®

Defining Luxury Since 1959

PROPRIETARY AND CONFIDENTIAL

THE INFORMATION CONTAINED IN THIS DRAWING IS THE SOLE PROPERTY OF RSS MANUFACTURING. ANY REPRODUCTION IN PART OR AS A WHOLE WITHOUT THE WRITTEN PERMISSION OF RSS MANUFACTURING IS PROHIBITED.

-	-	INTERPRET GEOMETRIC DIMENSIONING & TOLERANCING IN ACCORDANCE WITH ASME Y14.5-2009 & ASME Y14.41-2003 STANDARDS, UNLESS OTHERWISE SPECIFIED. DIMENSIONS ARE IN INCHES. TOLERANCES ARE:		
NEXT ASSY	USED ON	FRACTIONS ±1/64"	DECIMALS X.X: ±.1 X.XX: ±.01 X.XXX: ±.005	ANGULAR ±5°
APPLICATION				
MATERIAL				
FINISH	DRAWN	NAME	DATE	
	CHECKED	GRE	10/2/2015	
DO NOT SCALE DRAWING				

PRESSURE BALANCE SHOWER & DIVERTER SET (LESS SPOUT)

SIZE	ASM/PRT NO.	REV
A	4-481/00	-

SCALE: 1:4.5 WEIGHT: lbs. SHEET 1 OF 2

5

4

3

2

1